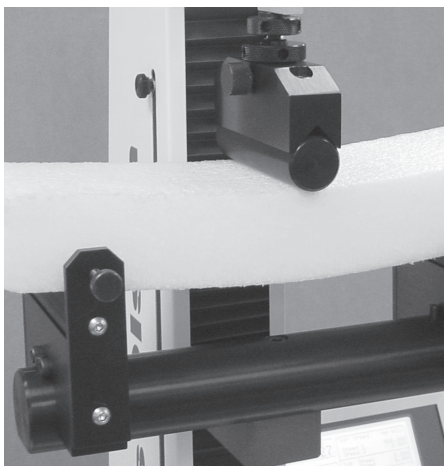


GRIPS

Lightweight Flexural Jigs



FIXED SPAN TEST ATTACHMENT, 5kN

**Description:**

Fixed span three-point flexural test attachment comprises a base unit with two support contact points and one upper point of contact.

Recommended for use on:

Benchtop materials testing machines.

Applications:

Sintered materials, ceramics, glass etc.

Specifications

- Maximum capacity: 5kN/1,000lbf
- Minimum load cell: 500N/100lbf
- Fixed span: 254mm/10in
- Radius of contact points: 16mm/0.63in
- Maximum specimen width: 76mm/3in
- Weight of upper contact: 0.7kg/1.54lb
- Temperature limits: Ambient

Specifications

- Maximum capacity: 5kN/1,000lbf
 - Minimum load cell: 250N/50lbf
 - Radius of contact anvils: 1, 1.25, 2.25, 4.5mm/0.04, 0.05, 0.09, 0.18in
 - Lower fixed spans: 20, 40, 80mm/0.8, 1.58, 3.15in
 - Upper fixed spans: 10, 20, 40mm/0.4, 0.8, 1.58in
 - Maximum specimen width: 8mm/0.2in
 - Weight of upper contact: 0.35kg/0.75lb
 - Temperature limits:* Ambient
- *High and low temperature options available for use in temperature chambers

SHORT SPAN, FIXED SPAN TEST ATTACHMENT, 5kN

Description:

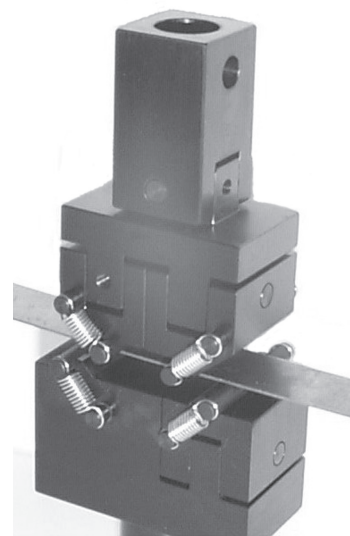
Short span four-point, fixed span flexural test attachment comprising base and upper units, each with two points of contact. Upper unit is semi-articulating and all points of contact are free to rotate to minimise frictional constraints.

Recommended for use on:

Benchtop materials testing machines.

Applications:

Ceramics at ambient temperatures.



WIDE VARIABLE SPAN TEST ATTACHMENT, 25kN

Description:

Wide variable span three-point flexural test attachment comprising a base unit with two points of contact, and an upper unit that provides a single, third point of contact. The lower points of contact are raised to accommodate highly flexible material to be tested, or allow the use of a displacement transducer. Graduated scale on the main body allows for accurate setting of the support span.

**Recommended for use on:**

Two-column benchtop materials testing machines.

Applications:

Wood, particle board and plywood.

Options:

- Spans available in either Metric or English graduations.
- Optional displacement transducer with 5µm resolution, 100µm accuracy and 100mm travel.

Specifications

- Maximum capacity: 25kN/5,000lbf
- Minimum load cell: 250N/50lbf
- Variable span: 50-1000mm /2-40in
- Radius of contact anvils: 12.5mm/0.5in
- Maximum specimen width: 110mm/4.3in
- Weight of upper contact: 1.8kg/4lb
- Temperature limits: Ambient

GRIPS



Lightweight Flexural Jigs

Specifications

- Maximum capacity: 25kN/5,620lbf
- Minimum load cell: 250N/56lbf
- Variable span: 35-300mm/1.4-11.8in
- Radius of contact points: *See Table 1.0 (right)
- Maximum specimen width: 50mm/2in
- Weight of upper contact: 1.5kg/3.3lb
- Weight (except upper contact): 9.75kg /21.5lb
- Temperature limits: -30-70°C

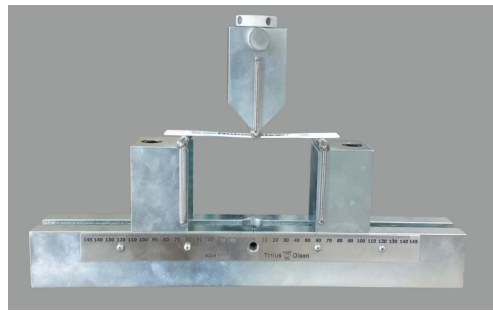
Options:

- Two-point centre anvil for conversion from three-point loading to four-point loading.
- Spans available in either metric or English graduations.

VARIABLE SPAN TEST ATTACHMENT, 25kN

Description:

Variable span three-point flexural test attachment comprising base unit with two support points of contact and one upper point of contact. Graduated scale on main body of the unit allows accurate setting of support span.

**Used on:**

ST Series material testing machines.

Applications:

Polymers, composites, corrugated card, sheet materials.

AVAILABLE ANVIL LOADING

As per various standards, the dimension of contact points are different. The table below details the available anvil loading bars.

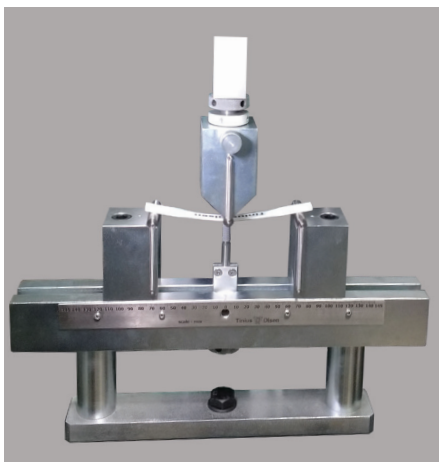
TABLE 1.0	
Length	Diameter
50.8mm	4mm
50.8mm	5mm
50.8mm	6mm
50.8mm	8mm
50.8mm	10mm
50.8mm	12mm
50.8mm	16mm
50.8mm	20mm
50.8mm	25mm
50.8mm	1/2in
50.8mm	1/4in
50.8mm	1/8in
102mm	3/4in

VARIABLE SPAN TEST ATTACHMENT + LVDT, 25kN

Description:

Variable span three-point flexural test attachment comprising base unit with two support points of contact and one upper point of contact. 10mm travel

LVDT transducer kit and a mounting bracket also accompanies this flexural assembly. Graduated scale on main body of the unit allows accurate setting of support span.

**Used on:**

ST Series material testing machines.

Applications:

Polymers, composites, corrugated card, sheet materials.

Options:

- Two-point centre anvil for conversion from three-point loading to four-point loading.
- Spans available in either metric or English graduations.

Specifications

- Maximum capacity: 25kN/5,620lbf
- Minimum load cell: 250N/56lbf
- Variable span: 35-300mm /1.4-11.8in
- Radius of contact points: *See Table 1.0 (above)
- Maximum specimen width: 50mm/2in
- Weight of upper contact: 1.5kg/ 3.3lb
- Weight (except upper contact): 14.9kg /32.8lb
- Temperature limits: -30-70 °C
- Transducer resolution: 0.5µm/2E-5in
- Transducer accuracy: 10µm/4E-4in
- Transducer travel: 10mm/0.4 in
- 10mm LVDT kit: part# 99-1002382
- Mounting bracket: part# 99-1002383